

We are looking for Engineers at CERN

What could be a better boost for your career than a 1-2 year at CERN, an Organization at the cutting edge of Technology?

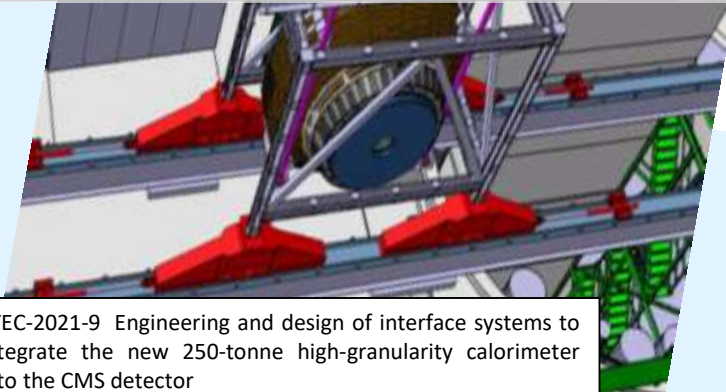
You could be working in fields as wide-ranging such as: superconducting magnets; power; cryogenics; vacuum technologies and electronics for detectors; including radiation resistance issues; and other activities related to infrastructures which could potentially have returns in industry.

Deadline March 12, 2021

<https://careers.smartrecruiters.com/CERN/ftec>

<http://www.ciemat.es/cargarAplicacionOfertaEmpleo.do?identificador=1656>

Up to 18 different technical profiles (<https://careers.cern/ftec-projects>) for specializing in the fields of mechanical, electrical, electronic or computing engineering, such as:



FTEC-2021-9 Engineering and design of interface systems to integrate the new 250-tonne high-granularity calorimeter into the CMS detector
<https://cds.cern.ch/record/2748779/files/FTEC-2021-9.pdf>



FTEC-2021-8 Engineering/design of tooling for removal and storage of 250-tonne fragile calorimeter from the CMS detector, 100m underground, to the surface
<https://cds.cern.ch/record/2748777/files/FTEC-2021-8.pdf>

- You are a **Spanish national**.
- You hold a Masters degree (“ingeniero superior” or “master”) or are about to obtain in **mechanical, electrical, electronic or computing engineering, applied physics, etc**
- You have **no more than 4 years’ experience** following completion of your last degree.
- You have **not previously worked at CERN for more than 14 months**. Exceptions can be made if you have a PhD or are close to finalize it.